

F = FINITURE
F = FINISHES
F = FINITIONS

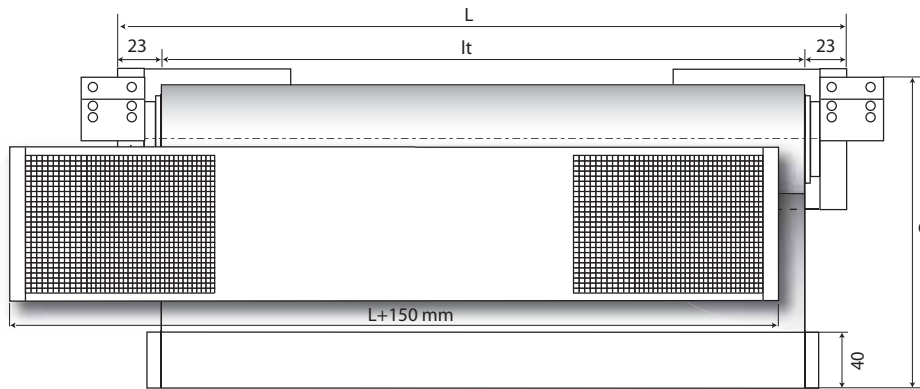
25 alluminio anodizzato inox
anodized aluminium steel colour
aluminium anodisé inox

67 alluminio lucido
bright aluminium
aluminium poli

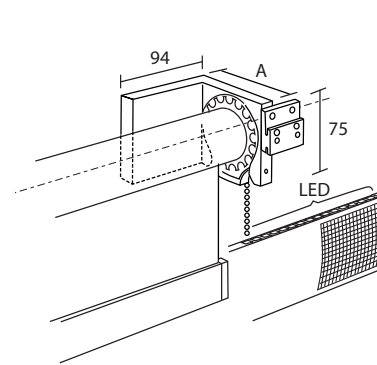
BNL alluminio laccato bianco
white lacquered aluminium
aluminium laqué blanc



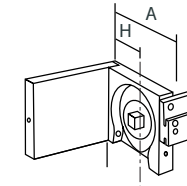
Sistema a parete con illuminazione a led e telecomando - Wall system with led lighting and remote - Système de face avec éclairage à led et télécommande



vista frontale - frontal view - vue de face



$l_t = L - 46 \text{ mm}$



A	H	COD
94	53	923419 DX/SX
144	103	923439 DX/SX
192	151	923449 DX/SX
242	201	923479 DX/SX

- A** = sporgenza supporto
bracket's projection
retour support
- H** = distanza parete
wall distance
retour du mur
- L** = larghezza sistema (cm)
system width (cm)
largeur système (cm)
- Dx** = Destro - Right - Droit
- Sx** = Sinistro - Left - Gauche
- lt** = larghezza singolo tessuto
fabric width per unit
largeur chaque toile
- C** = altezza tessuto (cm)
fabric width (cm)
hauteur de la toile (cm)



F = FINITURE
F = FINISHES
F = FINITIONS

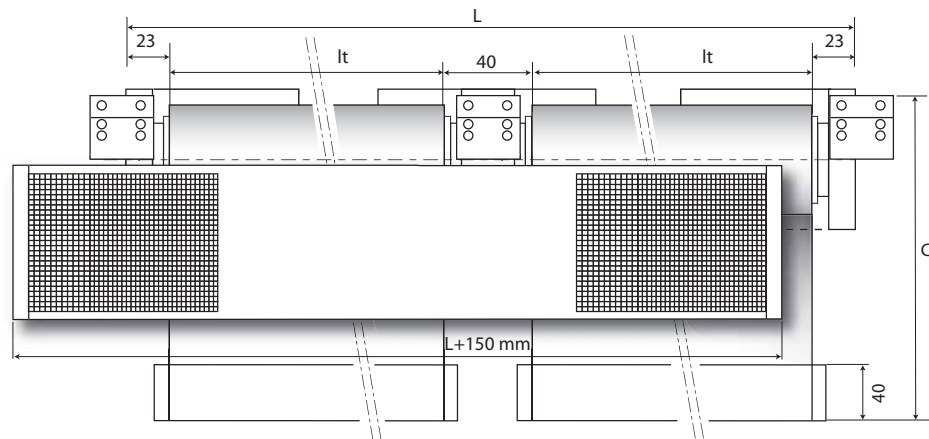
25 alluminio anodizzato inox
anodized aluminium steel colour
aluminium anodisé inox

67 alluminio lucido
bright aluminium
aluminium poli

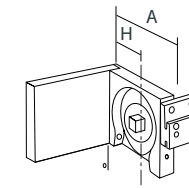
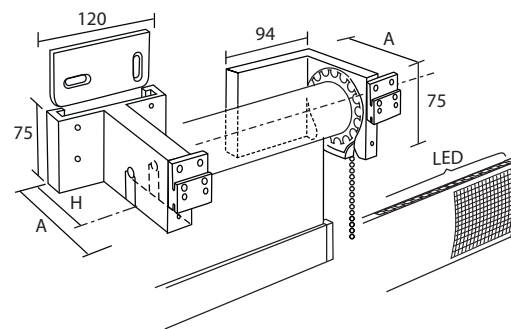
BNL alluminio laccato bianco
white lacquered aluminium
aluminium laqué blanc

FENICE

Sistema a parete continuo con illuminazione a led e telecomando
Wall consecutive system with led lighting and remote
Système continu de face avec éclairage à led et télécommande



vista frontale - frontal view - vue de face



$$lt = \frac{L - 86 \text{ mm}}{2}$$

- A** = sporgenza supporto
bracket's projection
retour support
- H** = distanza parete
wall distance
retour du mur
- L** = larghezza sistema (cm)
system width (cm)
largeur système (cm)
- lt** = larghezza singolo tessuto
fabric width per unit
largeur chaque toile
- C** = altezza tessuto (cm)
fabric width (cm)
hauteur de la toile (cm)

A	H	COD
94	53	923614
144	103	923664