

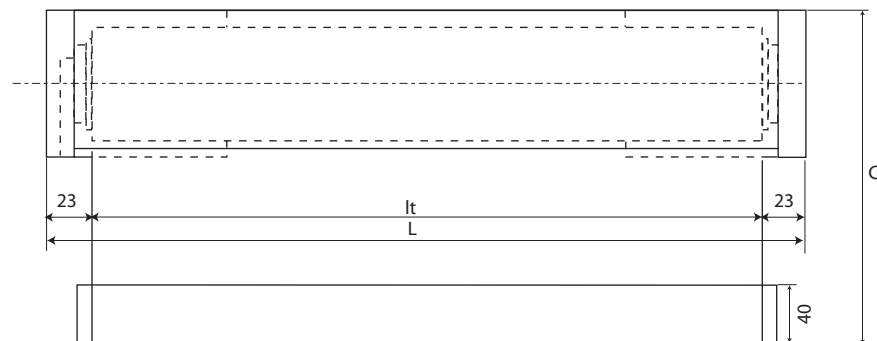
F = FINITURE 25 alluminio anodizzato inox
 F = FINISHES anodized aluminium steel colour
 F = FINITIONS aluminium anodisé inox

67 alluminio lucido
 bright aluminium
 aluminium poli

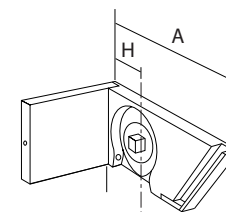
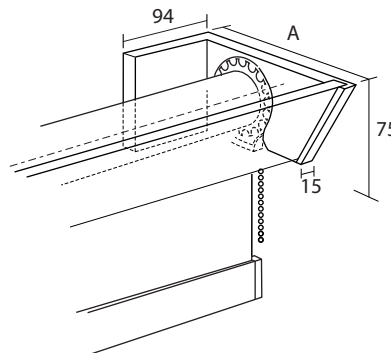
BNL alluminio laccato bianco
 white lacquered aluminium
 aluminium laqué blanc



Sistema a parete - Wall system - Système de face



vista frontale - frontal view - vue de face



$It = L - 46 \text{ mm}$

| A | H | COD |
|-----|-----|--------------|
| 163 | 53 | 763419 DX/SX |
| 213 | 103 | 763439 DX/SX |
| 261 | 151 | 763449 DX/SX |

- A** = sporgenza supporto
 bracket's projection
 retour support
- H** = distanza parete
 wall distance
 retour du mur
- L** = larghezza sistema (cm)
 system width (cm)
 largeur système (cm)
- Dx** = Destro - Right - Droit
- Sx** = Sinistro - Left - Gauche
- It** = larghezza singolo tessuto
 fabric width per unit
 largeur chaque toile
- C** = altezza tessuto (cm)
 fabric width (cm)
 hauteur de la toile (cm)

F = FINITURE
F = FINISHES
F = FINITIONS

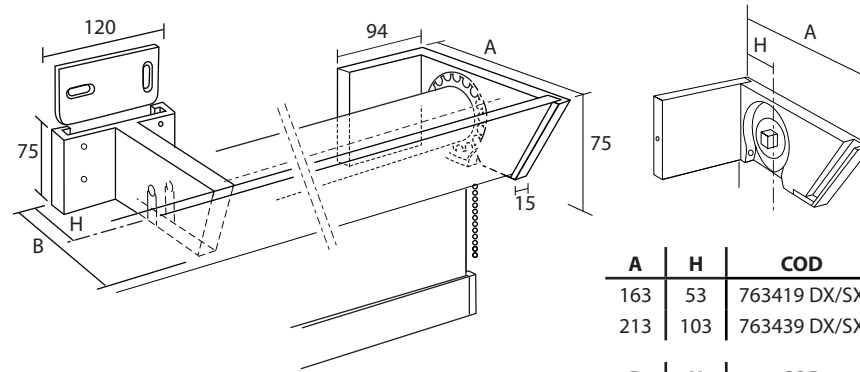
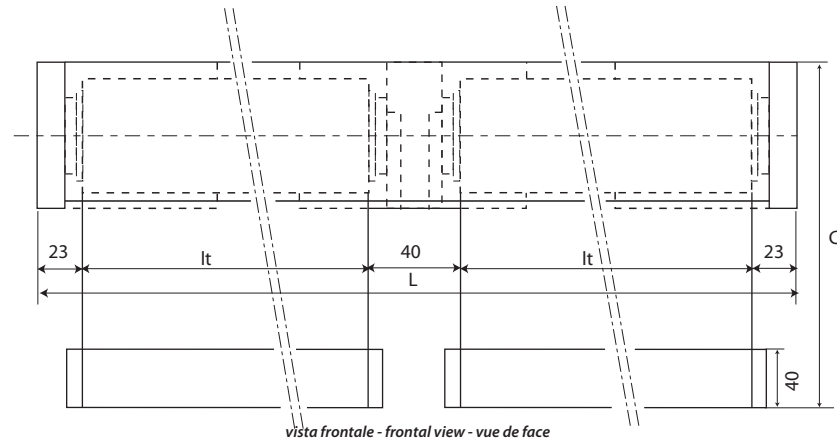
25 alluminio anodizzato inox
anodized aluminium steel colour
aluminium anodisé inox

67 alluminio lucido
bright aluminium
aluminium poli

BNL alluminio laccato bianco
white lacquered aluminium
aluminium laqué blanc



Sistema continuo a parete - Wall consecutive system - Système continu de face



| A | H | COD |
|-----|-----|--------------|
| 163 | 53 | 763419 DX/SX |
| 213 | 103 | 763439 DX/SX |

| B | H | COD |
|-----|-----|--------|
| 130 | 53 | 763614 |
| 180 | 103 | 763664 |

$$lt = \frac{L - 86 \text{ mm}}{2}$$

- A** = sporgenza supporto
bracket's projection
retour support
- B** = sporgenza supporto
bracket's projection
retour support
- H** = distanza parete
wall distance
retour du mur
- L** = larghezza sistema (cm)
system width (cm)
largeur système (cm)
- lt** = larghezza singolo tessuto
fabric width per unit
largeur chaque toile
- C** = altezza tessuto (cm)
fabric width (cm)
hauteur de la toile (cm)

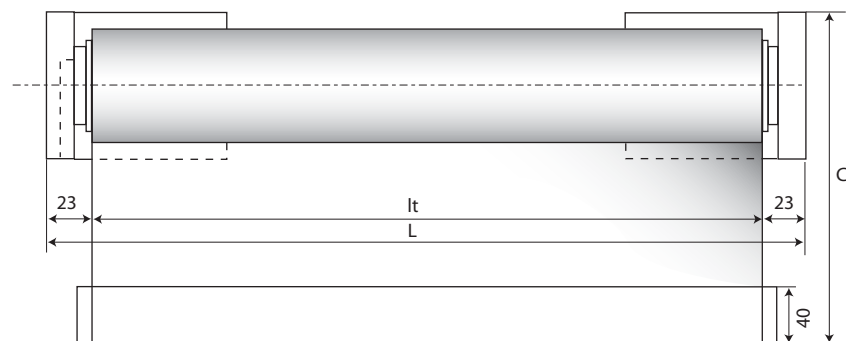
F = FINITURE 25 alluminio anodizzato inox
 F = FINISHES anodized aluminium steel colour
 F = FINITIONS aluminium anodisé inox

67 alluminio lucido
 bright aluminium
 aluminium poli

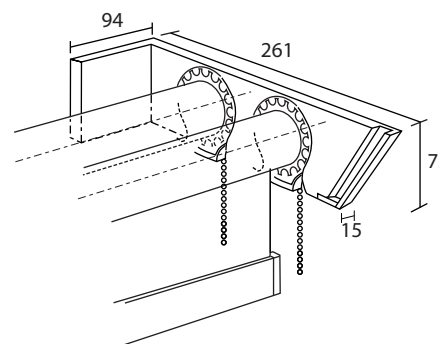
BNL alluminio laccato bianco
 white lacquered aluminium
 aluminium laqué blanc



Sistema doppio a parete - Wall double system - Système double de face



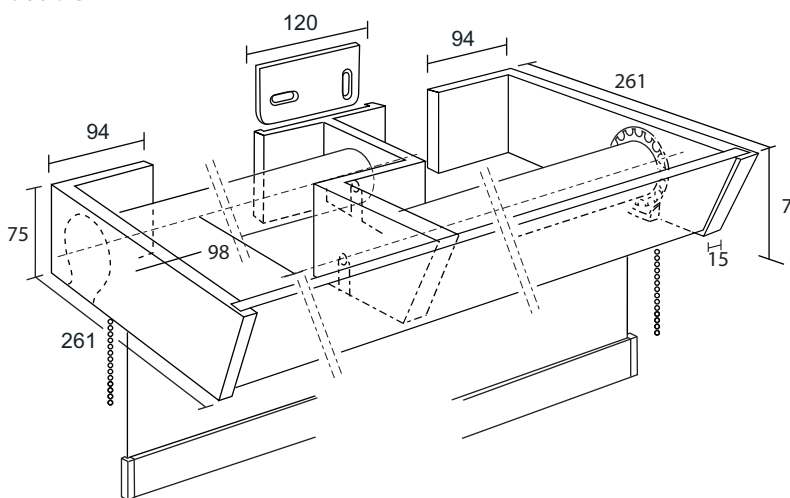
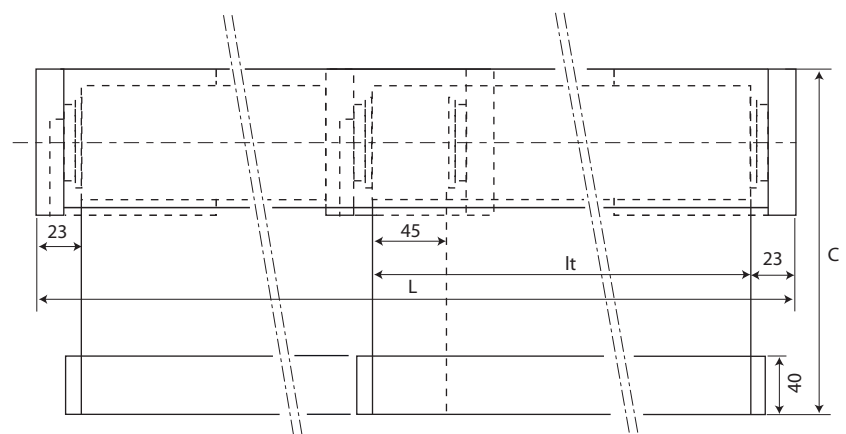
vista frontale - frontal view - vue de face



$lt = L - 46 \text{ mm}$

- L** = larghezza sistema (cm)
system width (cm)
largeur système (cm)
- Dx** = Destro - Right - Droit
- Sx** = Sinistro - Left - Gauche
- lt** = larghezza singolo tessuto
fabric width per unit
largeur chaque toile
- C** = altezza tessuto (cm)
fabric width (cm)
hauteur de la toile (cm)

Sistema a parete slalom 2 teli - Wall slalom double system - Système de face slalom double



$lt = \frac{L}{2} - 1 \text{ mm}$

- L** = larghezza sistema (cm)
system width (cm)
largeur système (cm)
- Dx** = Destro - Right - Droit
- Sx** = Sinistro - Left - Gauche
- lt** = larghezza singolo tessuto
fabric width per unit
largeur chaque toile
- C** = altezza tessuto (cm)
fabric width (cm)
hauteur de la toile (cm)



F = FINITURE
F = FINISHES
F = FINITIONS

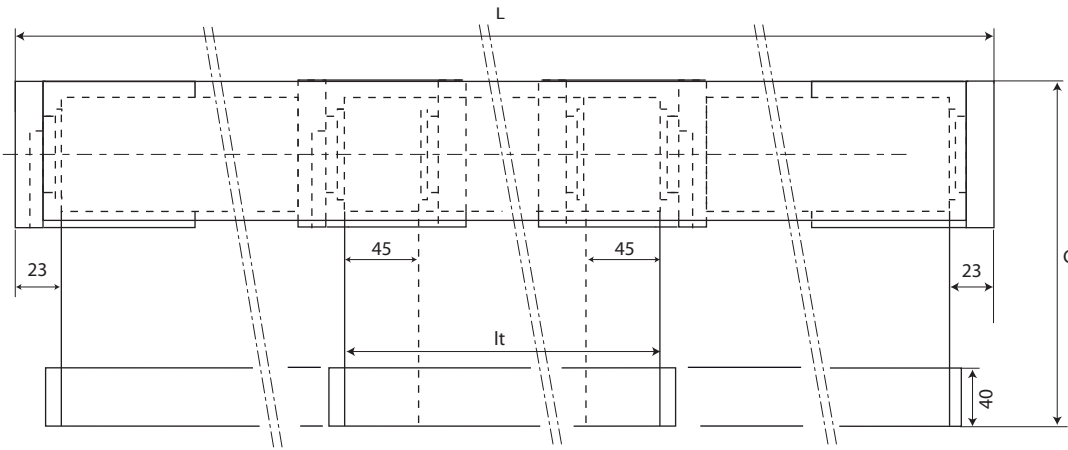
25 alluminio anodizzato inox
anodized aluminium steel colour
aluminium anodisé inox

67 alluminio lucido
bright aluminium
aluminium poli

BNL alluminio laccato bianco
white lacquered aluminium
aluminium laqué blanc

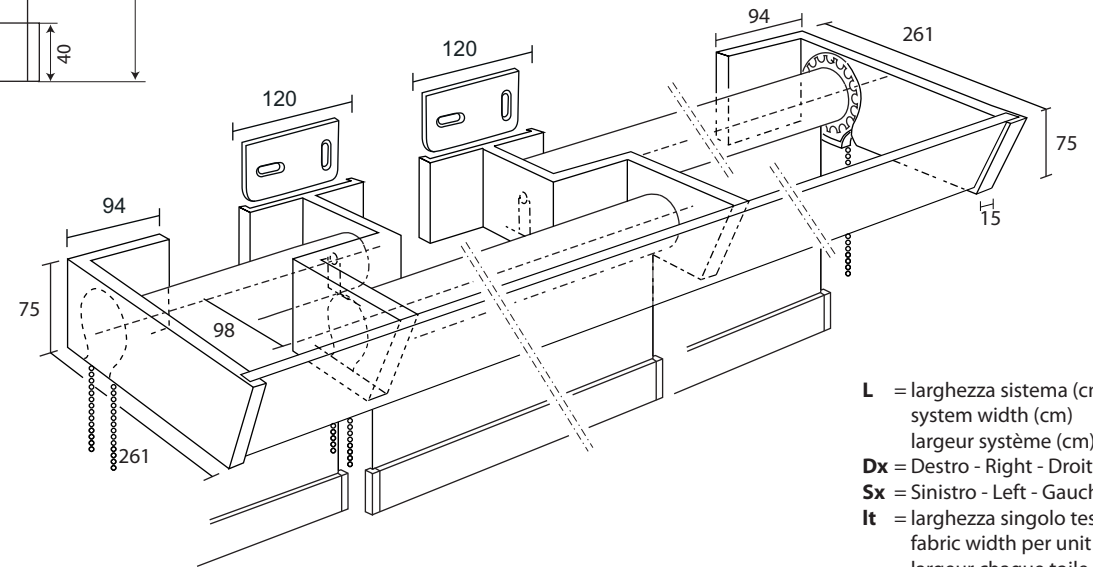


Sistema a slalom 3 teli indipendenti - Wall slalom triple system (independent fabrics) - Système de face slalom triple (toiles indépendantes)



vista frontale - frontal view - vue de face

$$lt = \frac{L}{3} + 14 \text{ mm}$$



- L** = larghezza sistema (cm)
system width (cm)
largeur système (cm)
- Dx** = Destro - Right - Droit
- Sx** = Sinistro - Left - Gauche
- lt** = larghezza singolo tessuto
fabric width per unit
largeur chaque toile
- C** = altezza tessuto (cm)
fabric width (cm)
hauteur de la toile (cm)

F = FINITURE 25
F = FINISHES
F = FINITIONS

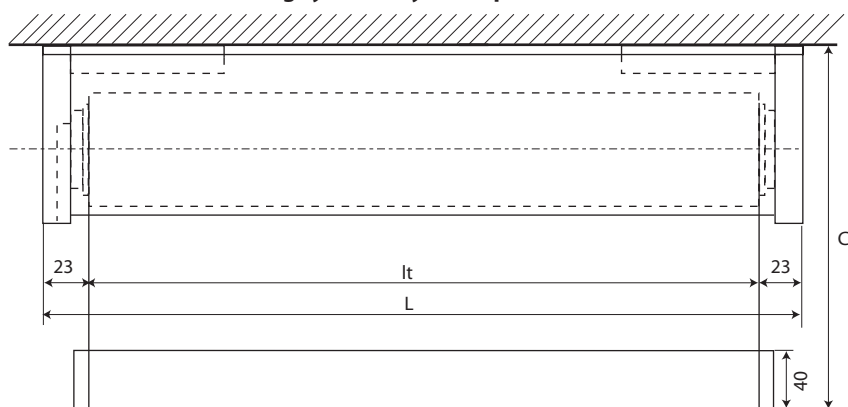
alluminio anodizzato inox
anodized aluminium steel colour
aluminium anodisé inox

67 alluminio lucido
bright aluminium
aluminium poli

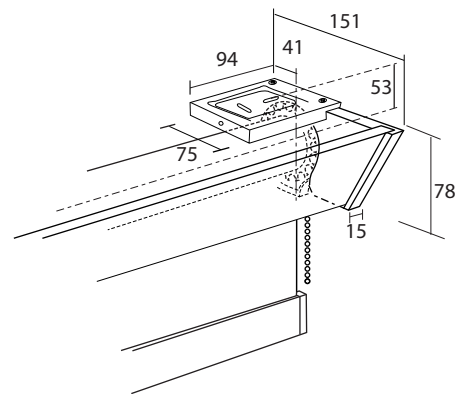
BNL alluminio laccato bianco
white lacquered aluminium
aluminium laqué blanc



Sistema a soffitto - Ceiling system - Système plafond



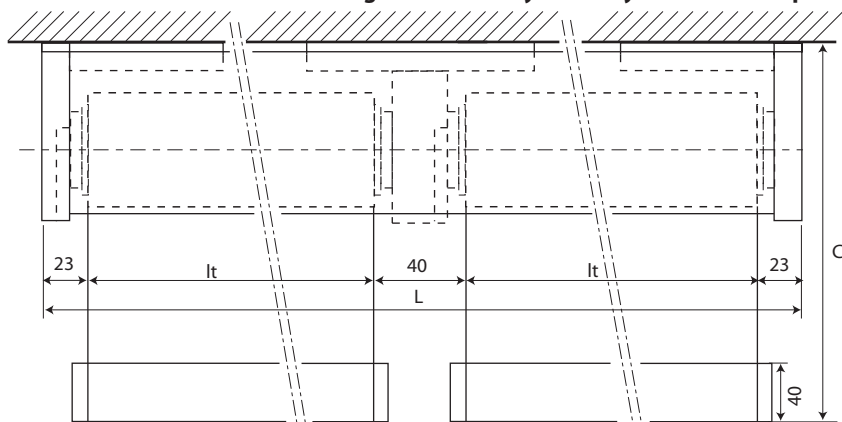
vista frontale - frontal view - vue de face



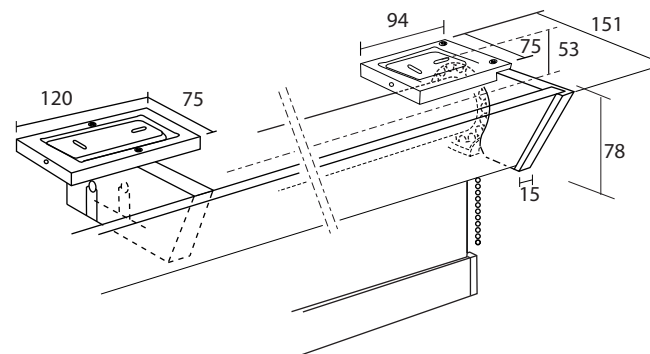
$$It = L - 46 \text{ mm}$$

- L** = larghezza sistema (cm)
system width (cm)
largeur système (cm)
- Dx** = Destro - Right - Droit
- Sx** = Sinistro - Left - Gauche
- It** = larghezza singolo tessuto
fabric width per unit
largeur chaque toile
- C** = altezza tessuto (cm)
fabric width (cm)
hauteur de la toile (cm)

Sistema continuo a soffitto - Ceiling consecutive system - Système continu plafond



vista frontale - frontal view - vue de face

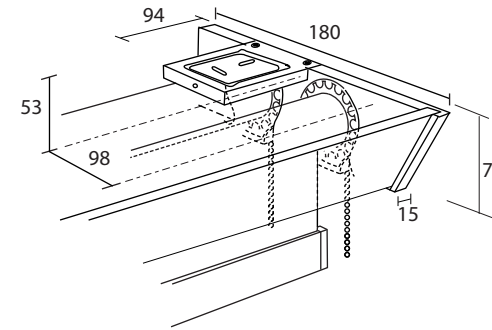
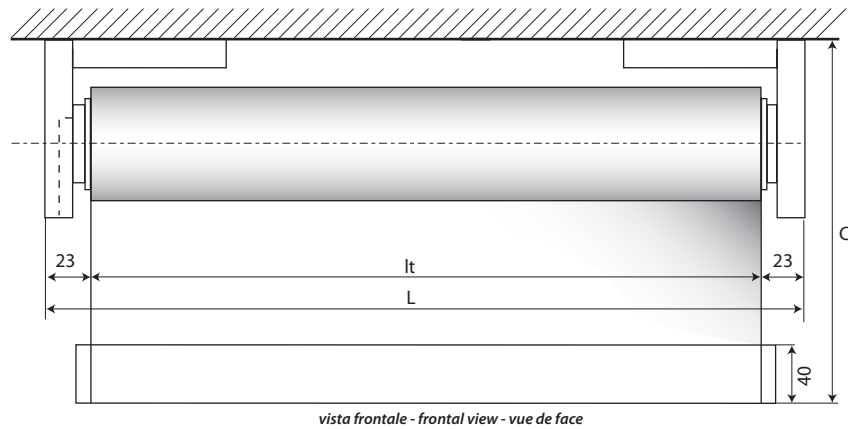


$$It = \frac{L - 86 \text{ mm}}{2}$$

- L** = larghezza sistema (cm)
system width (cm)
largeur système (cm)
- Dx** = Destro - Right - Droit
- Sx** = Sinistro - Left - Gauche
- It** = larghezza singolo tessuto
fabric width per unit
largeur chaque toile
- C** = altezza tessuto (cm)
fabric width (cm)
hauteur de la toile (cm)



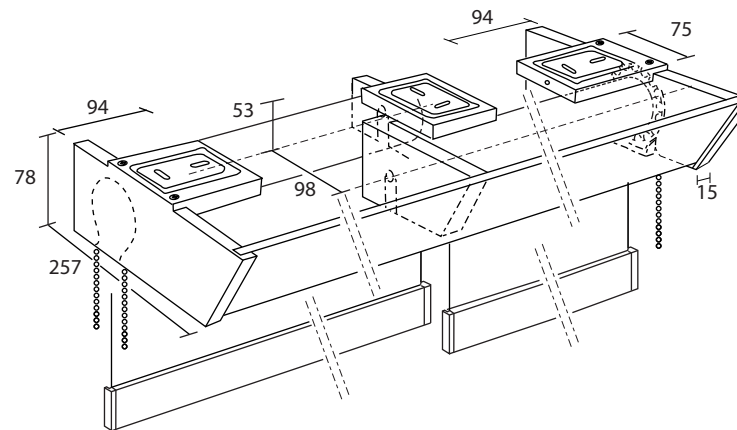
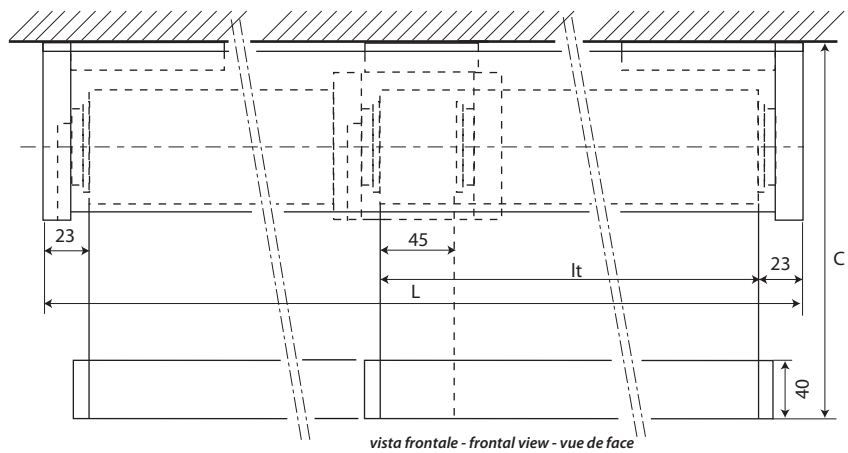
Sistema doppio a soffitto - Ceiling double system - Système double plafond



$$lt = L - 46 \text{ mm}$$

- L** = larghezza sistema (cm)
system width (cm)
largeur système (cm)
- Dx** = Destro - Right - Droit
- Sx** = Sinistro - Left - Gauche
- lt** = larghezza singolo tessuto
fabric width per unit
largeur chaque toile
- C** = altezza tessuto (cm)
fabric width (cm)
hauteur de la toile (cm)

Sistema a soffitto slalom 2 teli - Ceiling slalom double system - Système plafond slalom double



$$lt = \frac{L}{2} - 1 \text{ mm}$$

- L** = larghezza sistema (cm)
system width (cm)
largeur système (cm)
- Dx** = Destro - Right - Droit
- Sx** = Sinistro - Left - Gauche
- lt** = larghezza singolo tessuto
fabric width per unit
largeur chaque toile
- C** = altezza tessuto (cm)
fabric width (cm)
hauteur de la toile (cm)

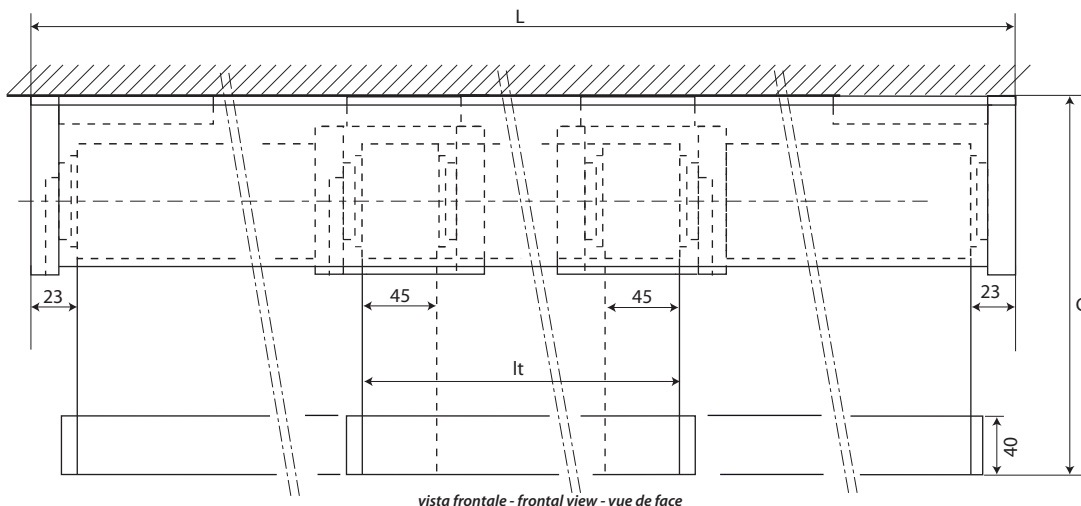
F = FINITURE 25 alluminio anodizzato inox
 F = FINISHES anodized aluminium steel colour
 F = FINITIONS aluminium anodisé inox

67 alluminio lucido
 bright aluminium
 aluminium poli

BNL alluminio laccato bianco
 white lacquered aluminium
 aluminium laqué blanc

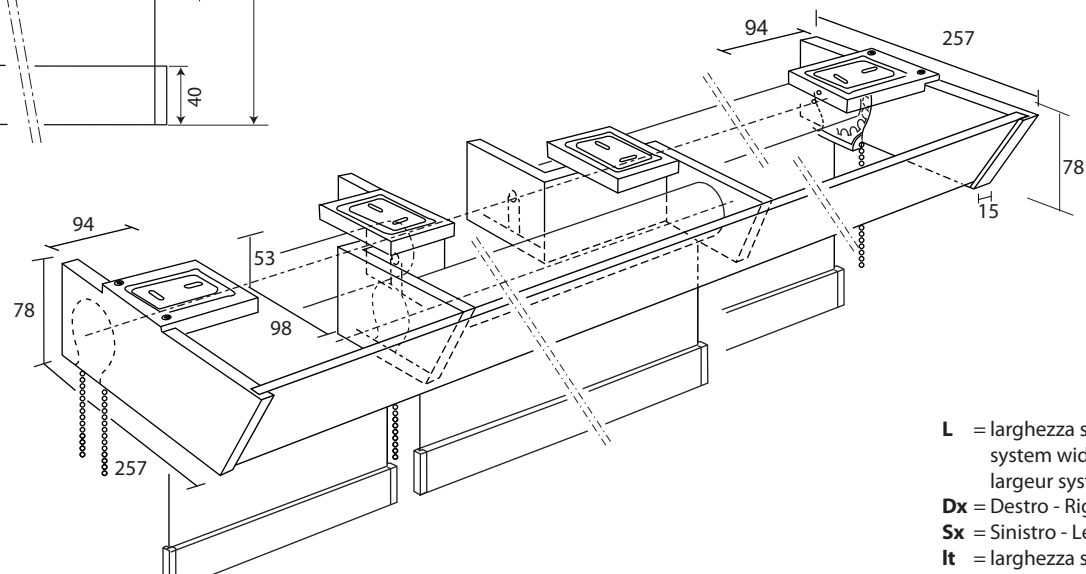


Sistema a soffitto slalom 3 teli indipendenti - Ceiling slalom triple system (independent fabrics) - Système plafond slalom triple (toiles indépendantes)



vista frontale - frontal view - vue de face

$$lt = \frac{L}{3} + 14 \text{ mm}$$



- L** = larghezza sistema (cm)
system width (cm)
largeur système (cm)
- Dx** = Destro - Right - Droit
- Sx** = Sinistro - Left - Gauche
- lt** = larghezza singolo tessuto
fabric width per unit
largeur chaque toile
- C** = altezza tessuto (cm)
fabric width (cm)
hauteur de la toile (cm)