

F = FINITURE 25 alluminio anodizzato inox
 F = FINISHES anodized aluminium steel colour
 F = FINITIONS aluminium anodisé inox

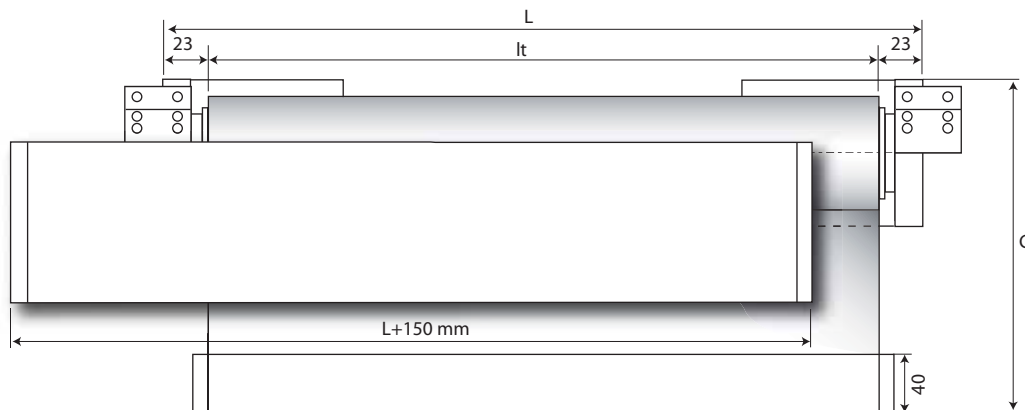
65 oro opaco
 matt gold
 or mat

67 alluminio lucido
 bright aluminium
 aluminium poli

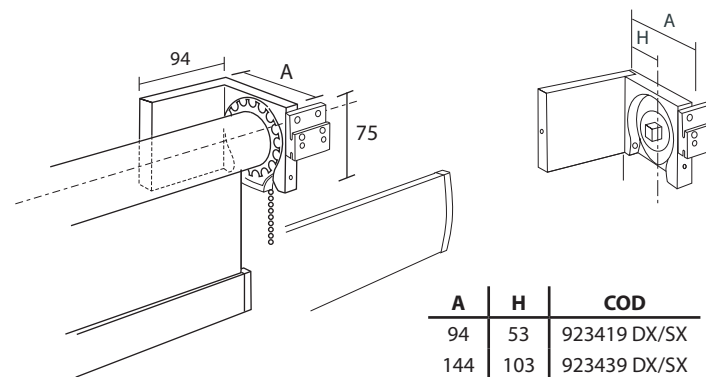
BNL alluminio laccato bianco
 white lacquered aluminium
 aluminium laqué blanc

ERIS

Sistema a parete - Wall system - Système de face



vista frontale - frontal view - vue de face



$l_t = L - 46 \text{ mm}$

A	H	COD
94	53	923419 DX/SX
144	103	923439 DX/SX
192	151	923449 DX/SX
242	201	923479 DX/SX

- A** = sporgenza supporto
bracket's projection
retour support
- H** = distanza parete
wall distance
retour du mur
- L** = larghezza sistema (cm)
system width (cm)
largeur système (cm)
- Dx** = Destro - Right - Droit
- Sx** = Sinistro - Left - Gauche
- lt** = larghezza singolo tessuto
fabric width per unit
largeur chaque toile
- C** = altezza tessuto (cm)
fabric width (cm)
hauteur de la toile (cm)



F = FINITURE
F = FINISHES
F = FINITIONS

25 alluminio anodizzato inox
anodized aluminium steel colour
aluminium anodisé inox

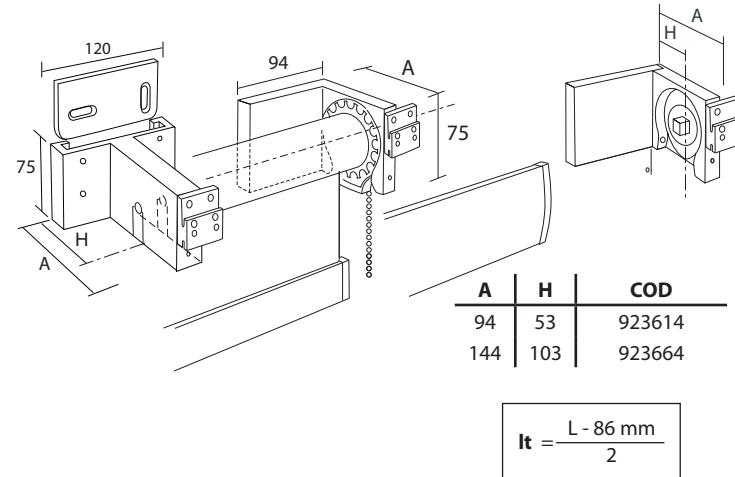
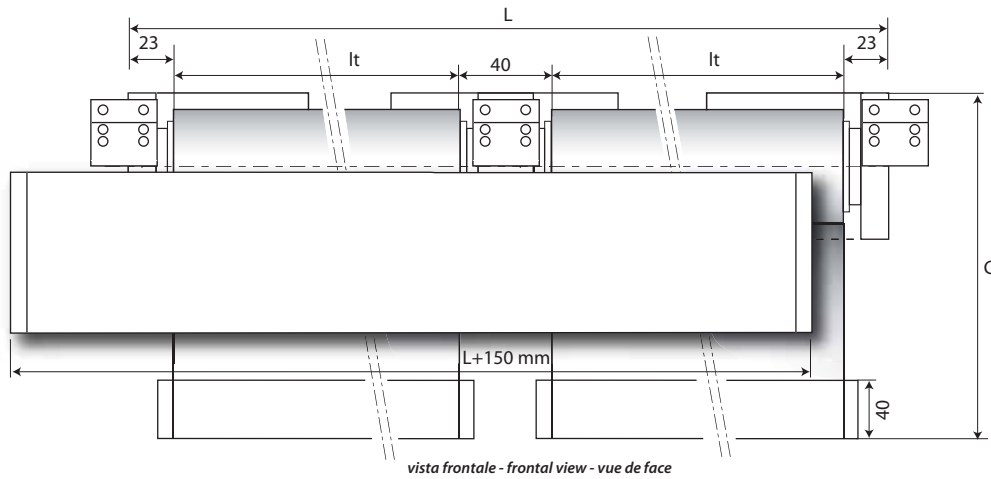
65 oro opaco
matt gold
or mat

67 alluminio lucido
bright aluminium
aluminium poli

BNL alluminio laccato bianco
white lacquered aluminium
aluminium laqué blanc

ERIS

Sistema continuo a parete - Wall consecutive system - Système continu de face



A	H	COD
94	53	923614
144	103	923664

$$lt = \frac{L - 86 \text{ mm}}{2}$$

- A** = sporgenza supporto
bracket's projection
retour support
- H** = distanza parete
wall distance
retour du mur
- L** = larghezza sistema (cm)
system width (cm)
largeur système (cm)
- lt** = larghezza singolo tessuto
fabric width per unit
largeur chaque toile
- C** = altezza tessuto (cm)
fabric width (cm)
hauteur de la toile (cm)

F = FINITURE 25 alluminio anodizzato inox
 F = FINISHES anodized aluminium steel colour
 F = FINITIONS aluminium anodisé inox

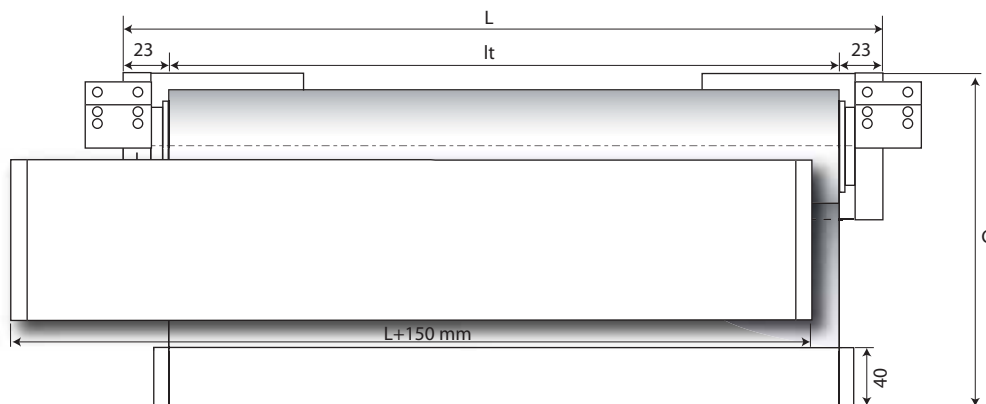
65 oro opaco
 matt gold
 or mat

67 alluminio lucido
 bright aluminium
 aluminium poli

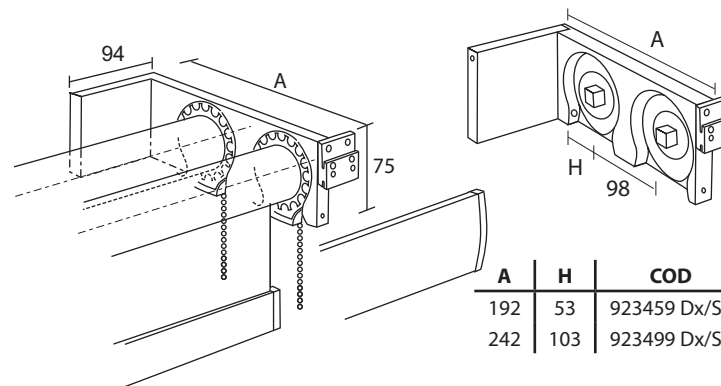
BNL alluminio laccato bianco
 white lacquered aluminium
 aluminium laqué blanc

ERIS

Sistema doppio a parete - Wall double system - Système double de face



vista frontale - frontal view - vue de face



A	H	COD
192	53	923459 Dx/Sx
242	103	923499 Dx/Sx

$lt = L - 46 \text{ mm}$

- A** = sporgenza supporto
bracket's projection
retour support
- H** = distanza parete
wall distance
retour du mur
- L** = larghezza sistema (cm)
system width (cm)
largeur système (cm)
- Dx** = Destro - Right - Droit
- Sx** = Sinistro - Left - Gauche
- lt** = larghezza singolo tessuto
fabric width per unit
largeur chaque toile
- C** = altezza tessuto (cm)
fabric width (cm)
hauteur de la toile (cm)



F = FINITURE
F = FINISHES
F = FINITIONS

25 alluminio anodizzato inox
anodized aluminium steel colour
aluminium anodisé inox

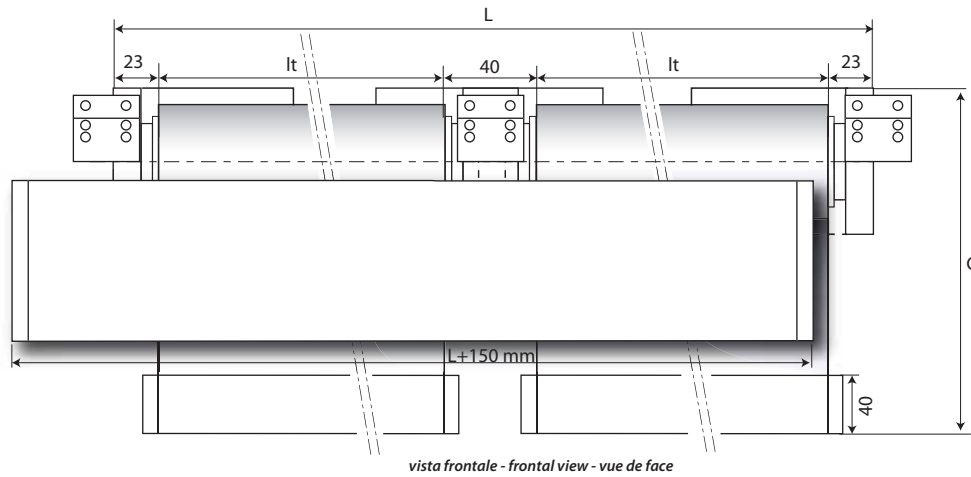
65 oro opaco
matt gold
or mat

67 alluminio lucido
bright aluminium
aluminium poli

BNL alluminio laccato bianco
white lacquered aluminium
aluminium laqué blanc

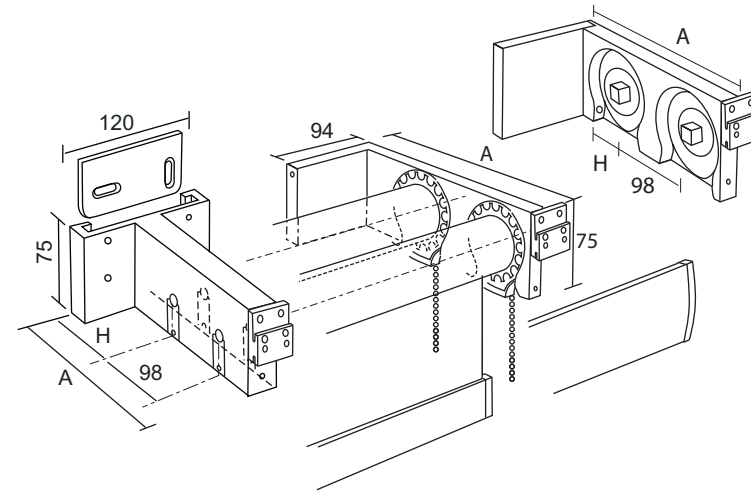
ERIS

Sistema doppio continuo a parete - Wall double consecutive system - Système double continu de face



$$lt = \frac{L - 86 \text{ mm}}{2}$$

A	H	COD
192	53	923634
242	103	923744



- A** = sporgenza supporto
bracket's projection
retour support
- H** = distanza parete
wall distance
retour du mur
- L** = larghezza sistema (cm)
system width (cm)
largeur système (cm)
- lt** = larghezza singolo tessuto
fabric width per unit
largeur chaque toile
- C** = altezza tessuto (cm)
fabric width (cm)
hauteur de la toile (cm)

F = FINITURE 25
F = FINISHES
F = FINITIONS

25 alluminio anodizzato inox
anodized aluminium steel colour
aluminium anodisé inox

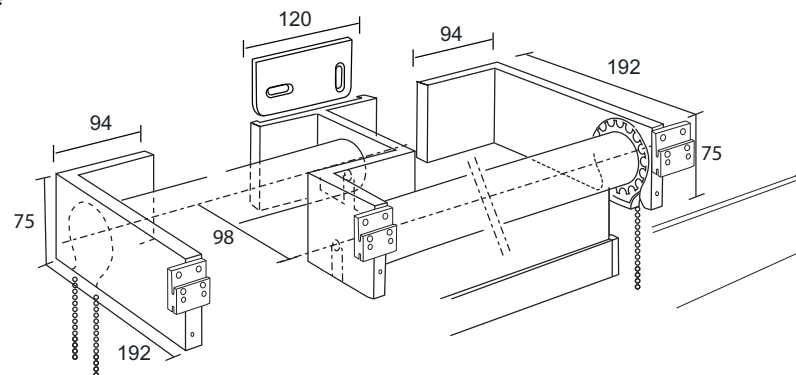
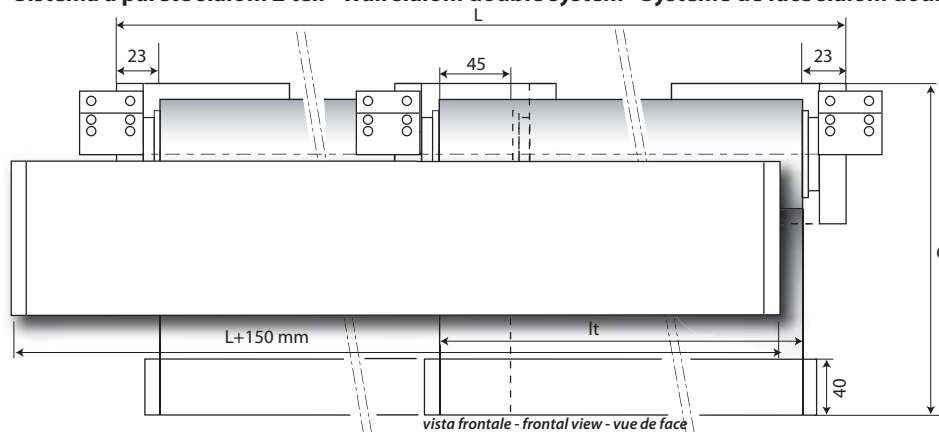
65 oro opaco
matt gold
or mat

67 alluminio lucido
bright aluminium
aluminium poli

BNL alluminio laccato bianco
white lacquered aluminium
aluminium laqué blanc

ERIS

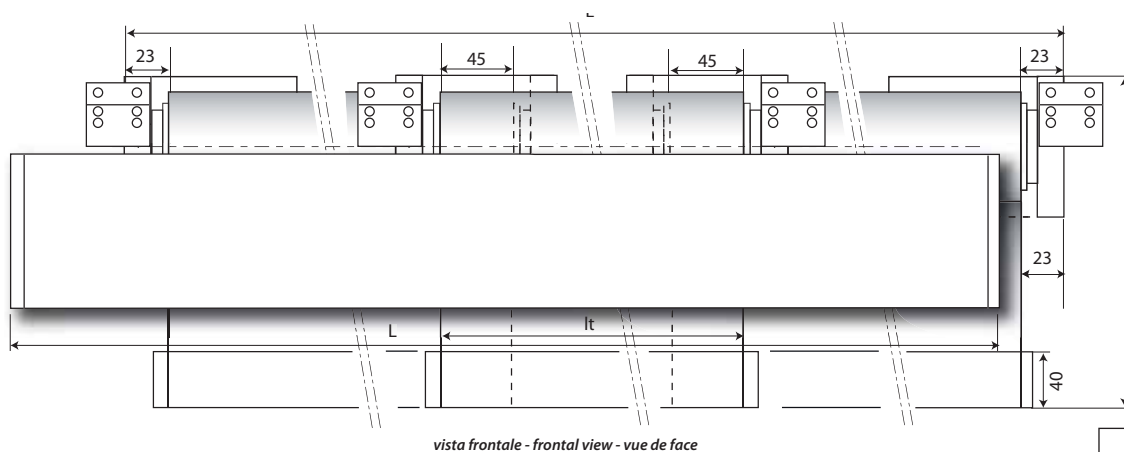
Sistema a parete slalom 2 teli - Wall slalom double system - Système de face slalom double



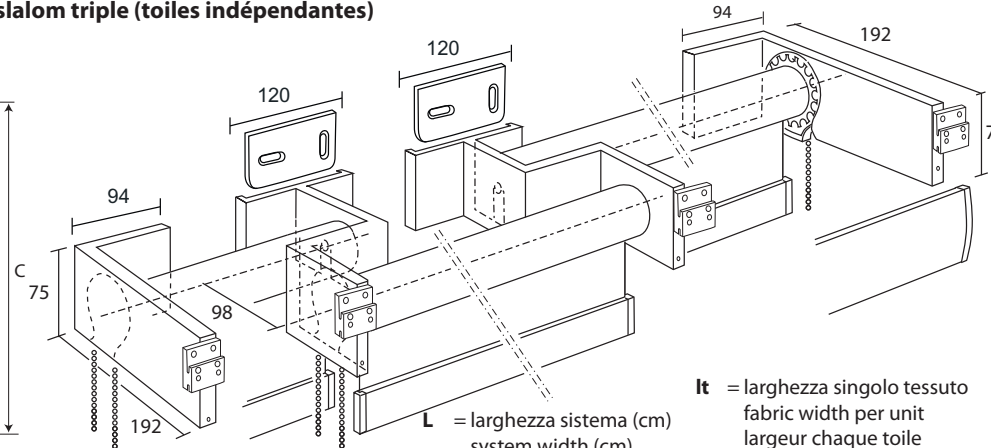
$$It = \frac{L}{2} - 1 \text{ mm}$$

- L** = larghezza sistema (cm)
system width (cm)
largeur système (cm)
- Dx** = Destro - Right - Droit
- Sx** = Sinistro - Left - Gauche
- It** = larghezza singolo tessuto
fabric width per unit
largeur chaque toile
- C** = altezza tessuto (cm)
fabric width (cm)
hauteur de la toile (cm)

Sistema a slalom 3 teli indipendenti - Wall slalom triple system (independent fabrics) - Système de face slalom triple (toiles indépendantes)



$$It = \frac{L}{3} + 14 \text{ mm}$$



- It** = larghezza singolo tessuto
fabric width per unit
largeur chaque toile
- L** = larghezza sistema (cm)
system width (cm)
largeur système (cm)
- Dx** = Destro - Right - Droit
- Sx** = Sinistro - Left - Gauche
- C** = altezza tessuto (cm)
fabric width (cm)
hauteur de la toile (cm)



F = FINITURE
F = FINISHES
F = FINITIONS

25 alluminio anodizzato inox
anodized aluminium steel colour
aluminium anodisé inox

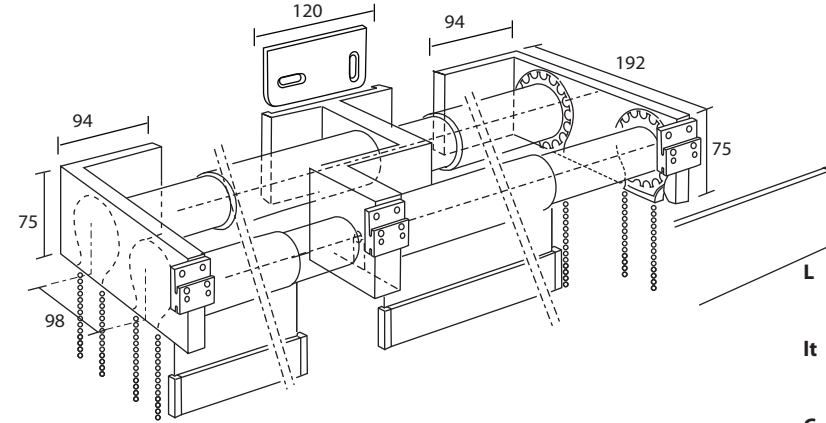
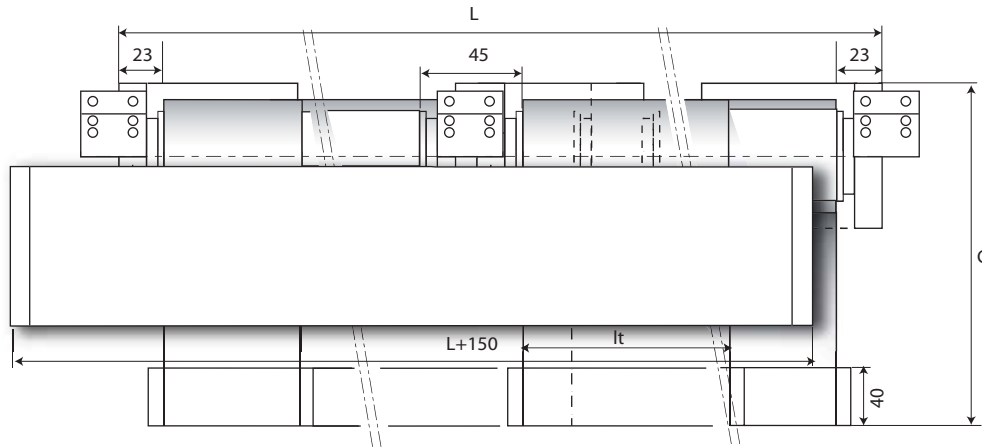
65 oro opaco
matt gold
or mat

67 alluminio lucido
bright aluminium
aluminium poli

BNL alluminio laccato bianco
white lacquered aluminium
aluminium laqué blanc

ERIS

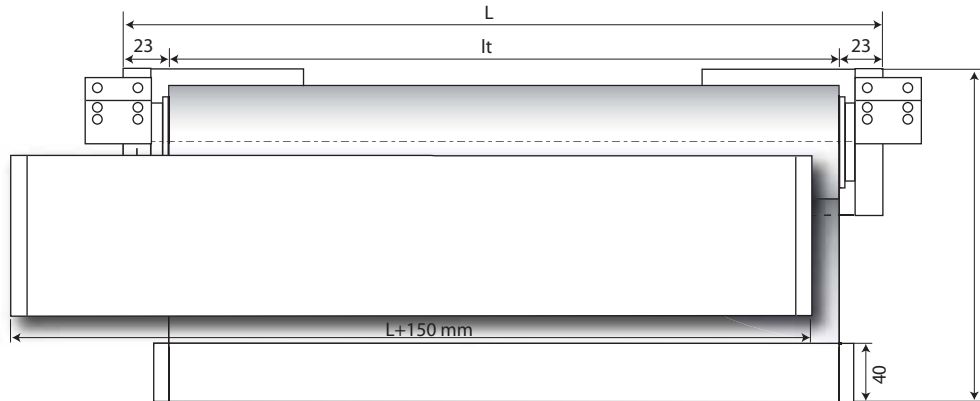
Sistema doppio a parete slalom 4 teli - Wall quadruple slalom system - Système double slalom de face avec 4 toiles



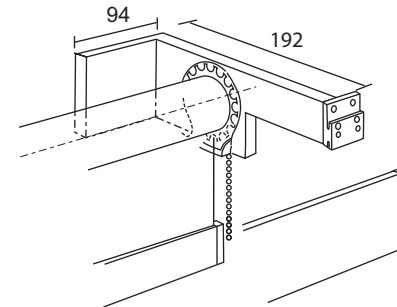
$$lt = \frac{L - 40}{4} + 40 \text{ mm}$$

- L** = larghezza sistema (cm)
system width (cm)
largeur système (cm)
- lt** = larghezza singolo tessuto
fabric width per unit
largeur chaque toile
- C** = altezza tessuto (cm)
fabric width (cm)
hauteur de la toile (cm)

Sistema a parete per pannelli - Wall system with panel glides - Système de face avec panneaux



vista frontale - frontal view - vue de face



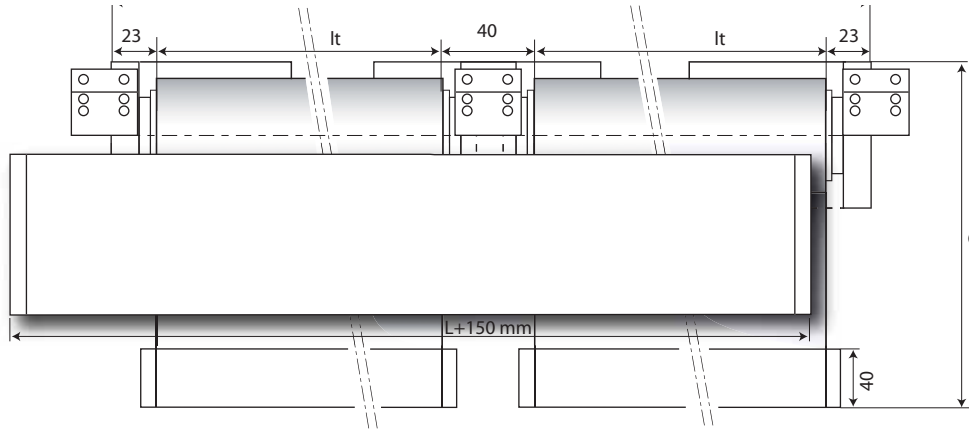
$$lt = L - 46 \text{ mm}$$

- L** = larghezza sistema (cm)
system width (cm)
largeur système (cm)
- lt** = larghezza singolo tessuto
fabric width per unit
largeur chaque toile
- C** = altezza tessuto (cm)
fabric width (cm)
hauteur de la toile (cm)

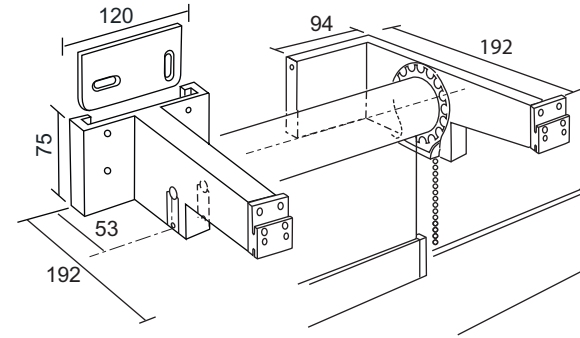
F = FINITURE	25	alluminio anodizzato inox	65	oro opaco	67	alluminio lucido	BNL	alluminio laccato bianco
F = FINISHES		anodized aluminium steel colour		matt gold		bright aluminium		white lacquered aluminium
F = FINITIONS		aluminium anodisé inox		or mat		aluminium poli		aluminium laqué blanc



Sistema continuo a parete per pannelli - Wall consecutive system with panel glides - Système de face continu avec panneaux



vista frontale - frontal view - vue de face



$$It = \frac{L - 86\text{ mm}}{2}$$

- L** = larghezza sistema (cm)
system width (cm)
largeur système (cm)
- It** = larghezza singolo tessuto
fabric width per unit
largeur chaque toile
- C** = altezza tessuto (cm)
fabric width (cm)
hauteur de la toile (cm)



F = FINITURE
F = FINISHES
F = FINITIONS

25 alluminio anodizzato inox
anodized aluminium steel colour
aluminium anodisé inox

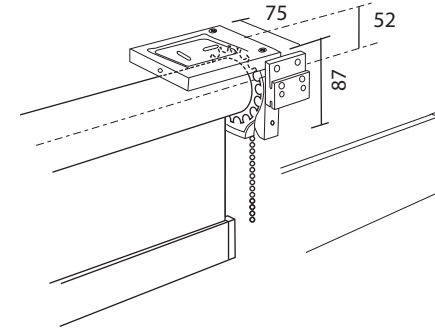
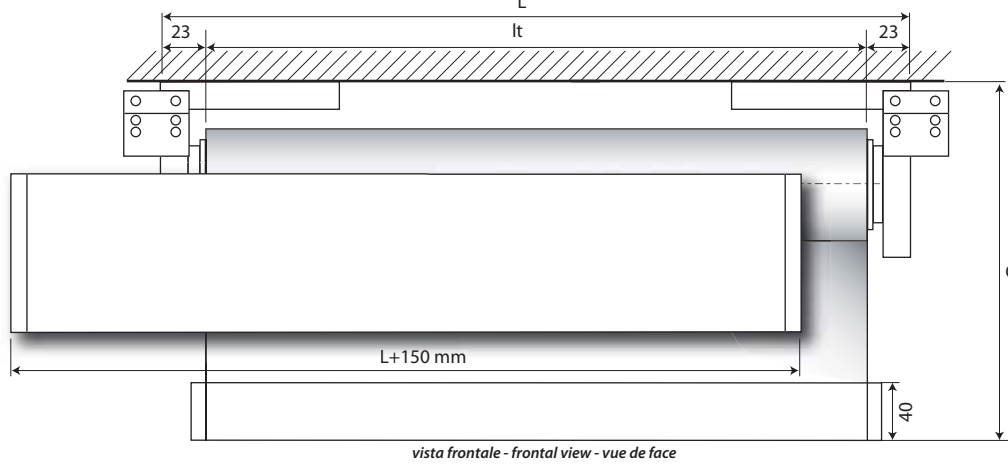
65 oro opaco
matt gold
or mat

67 alluminio lucido
bright aluminium
aluminium poli

BNL alluminio laccato bianco
white lacquered aluminium
aluminium laqué blanc

ERIS

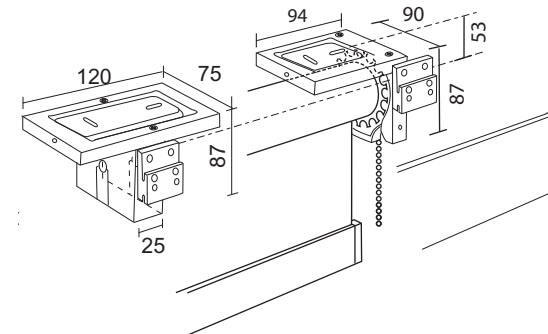
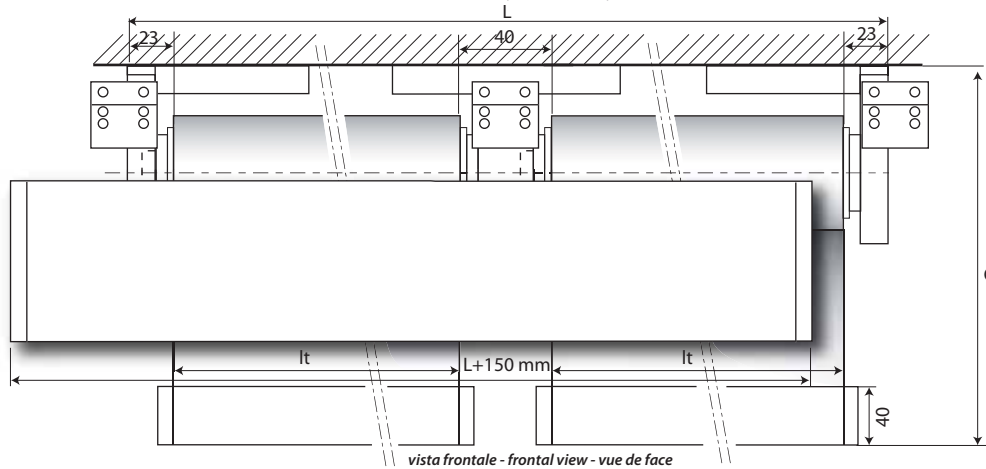
Sistema a soffitto - Ceiling system - Système plafond



$$lt = L - 46 \text{ mm}$$

- L** = larghezza sistema (cm)
system width (cm)
largeur système (cm)
- lt** = larghezza singolo tessuto
fabric width per unit
largeur chaque toile
- C** = altezza tessuto (cm)
fabric width (cm)
hauteur de la toile (cm)

Sistema continuo a soffitto - Ceiling consecutive system - Système continu plafond



$$lt = \frac{L - 86 \text{ mm}}{2}$$

- L** = larghezza sistema (cm)
system width (cm)
largeur système (cm)
- lt** = larghezza singolo tessuto
fabric width per unit
largeur chaque toile
- C** = altezza tessuto (cm)
fabric width (cm)
hauteur de la toile (cm)

F = FINITURE
F = FINISHES
F = FINITIONS

25 alluminio anodizzato inox
anodized aluminium steel colour
aluminium anodisé inox

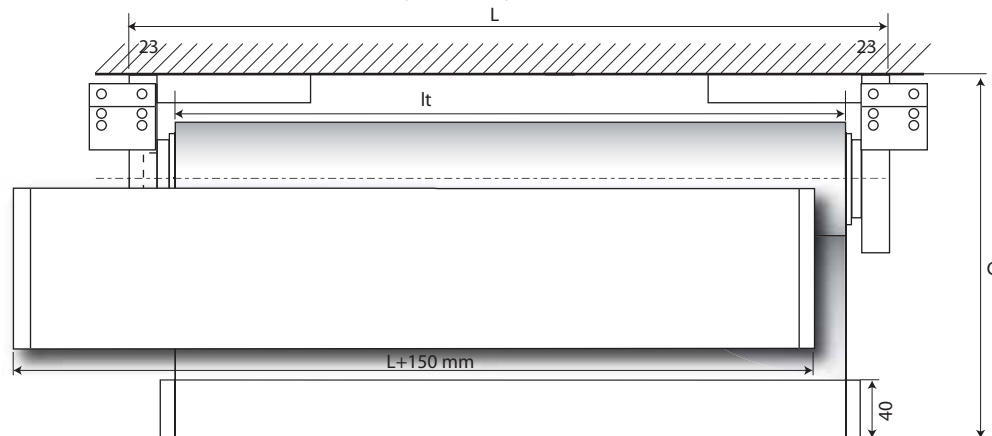
65 oro opaco
matt gold
or mat

67 alluminio lucido
bright aluminium
aluminium poli

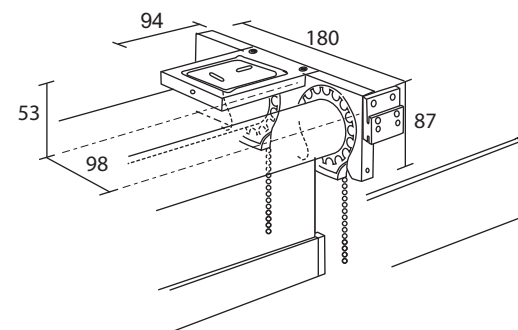
BNL alluminio laccato bianco
white lacquered aluminium
aluminium laqué blanc

ERIS

Sistema doppio a soffitto - Ceiling double system - Système double plafond



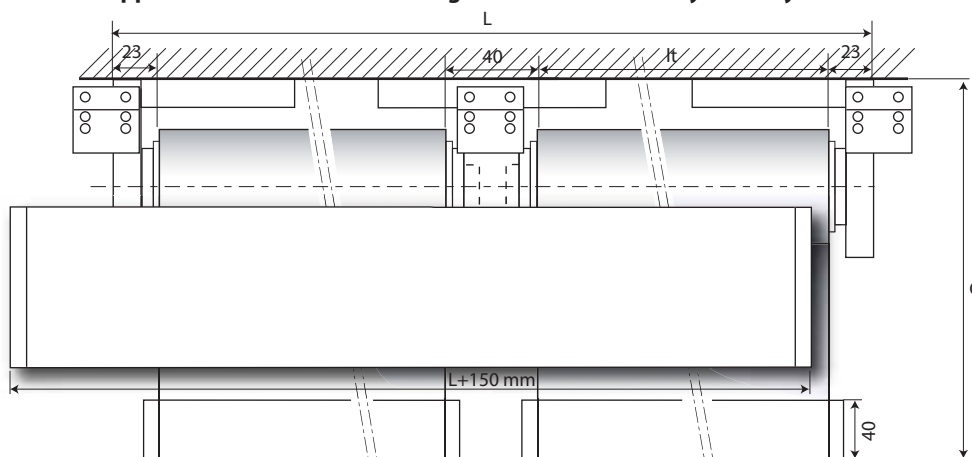
vista frontale - frontal view - vue de face



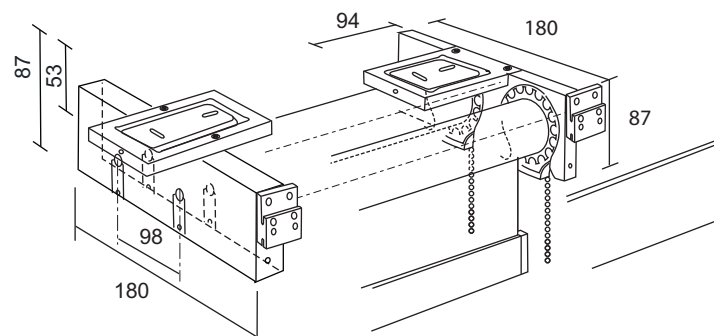
$$lt = L - 46 \text{ mm}$$

- L** = larghezza sistema (cm)
system width (cm)
largeur système (cm)
- lt** = larghezza singolo tessuto
fabric width per unit
largeur chaque toile
- C** = altezza tessuto (cm)
fabric width (cm)
hauteur de la toile (cm)

Sistema doppio continuo a soffitto - Ceiling double consecutive system - Système double continu plafond



vista frontale - frontal view - vue de face



$$lt = \frac{L - 86 \text{ mm}}{2}$$

- L** = larghezza sistema (cm)
system width (cm)
largeur système (cm)
- lt** = larghezza singolo tessuto
fabric width per unit
largeur chaque toile
- C** = altezza tessuto (cm)
fabric width (cm)
hauteur de la toile (cm)



F = FINITURE
F = FINISHES
F = FINITIONS

25 alluminio anodizzato inox
anodized aluminium steel colour
aluminium anodisé inox

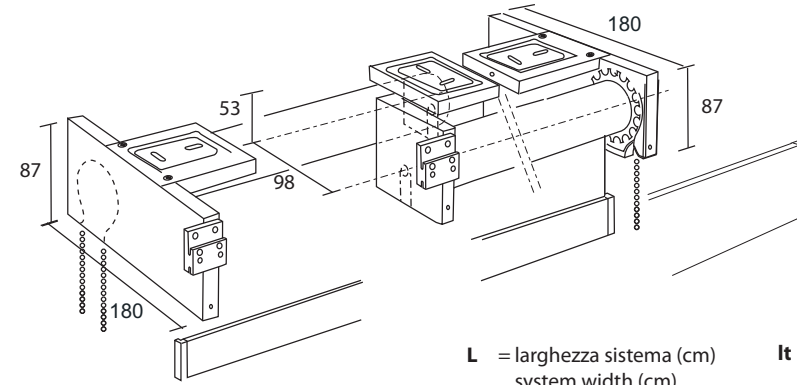
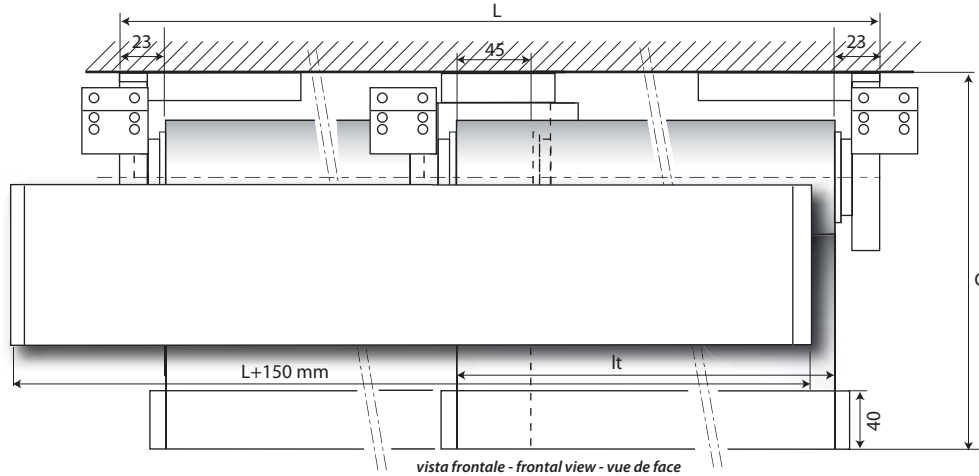
65 oro opaco
matt gold
or mat

67 alluminio lucido
bright aluminium
aluminium poli

BNL alluminio laccato bianco
white lacquered aluminium
aluminium laqué blanc

ERIS

Sistema a soffitto slalom 2 teli - Ceiling slalom double system - Système plafond slalom double

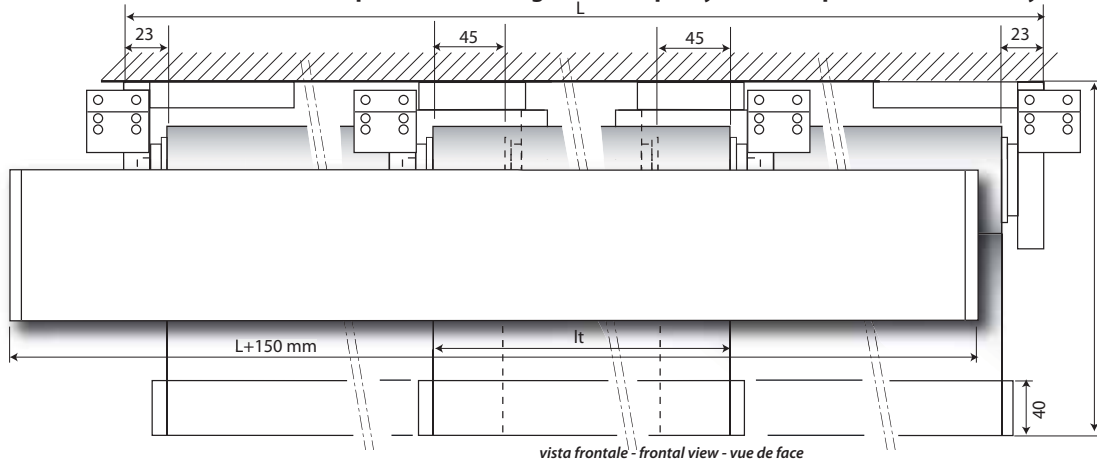


L = larghezza sistema (cm)
system width (cm)
largeur système (cm)
Dx = Destro - Right - Droit
Sx = Sinistro - Left - Gauche

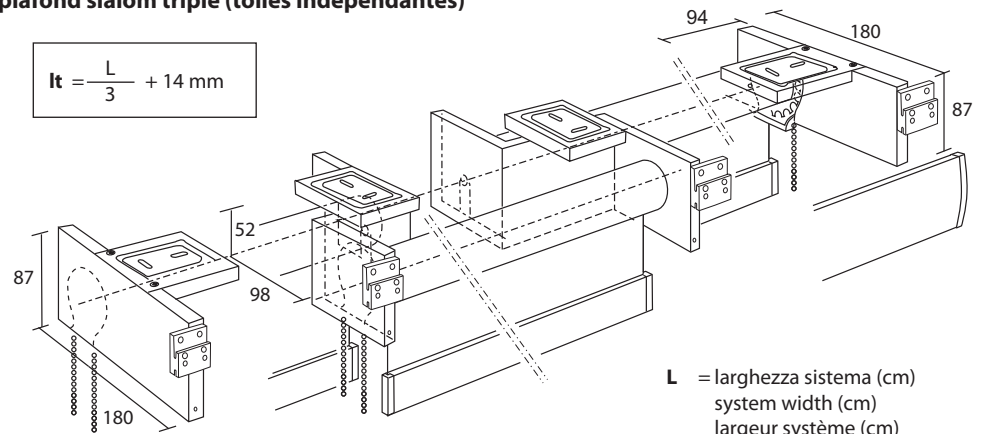
$$lt = \frac{L}{2} - 1 \text{ mm}$$

lt = larghezza singolo tessuto
fabric width per unit
largeur chaque toile
C = altezza tessuto (cm)
fabric width (cm)
hauteur de la toile (cm)

Sistema a soffitto slalom 3 teli indipendenti - Ceiling slalom triple system (independent fabrics) - Système plafond slalom triple (toiles indépendantes)



$$lt = \frac{L}{3} + 14 \text{ mm}$$



L = larghezza sistema (cm)
system width (cm)
largeur système (cm)
Dx = Destro - Right - Droit
Sx = Sinistro - Left - Gauche
lt = larghezza singolo tessuto
fabric width per unit
largeur chaque toile
C = altezza tessuto (cm)
fabric width (cm)
hauteur de la toile (cm)

F = FINITURE 25
F = FINISHES
F = FINITIONS

25 alluminio anodizzato inox
anodized aluminium steel colour
aluminium anodisé inox

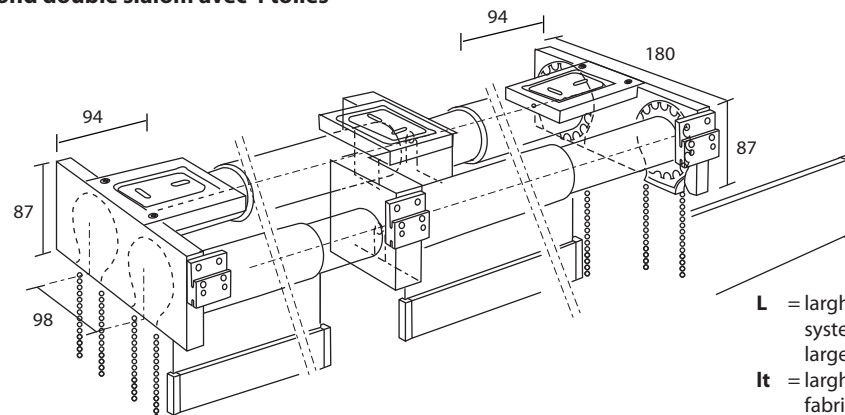
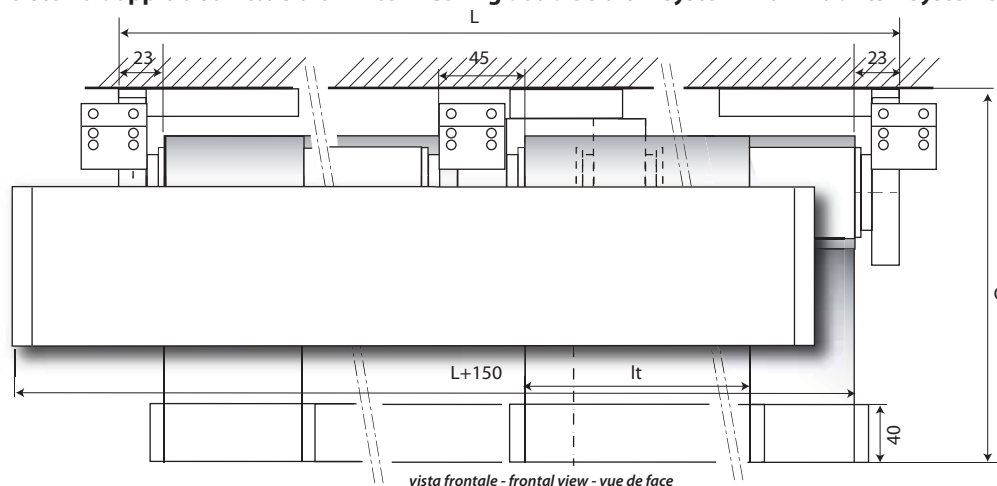
65 oro opaco
matt gold
or mat

67 alluminio lucido
bright aluminium
aluminium poli

BNL alluminio laccato bianco
white lacquered aluminium
aluminium laqué blanc

ERIS

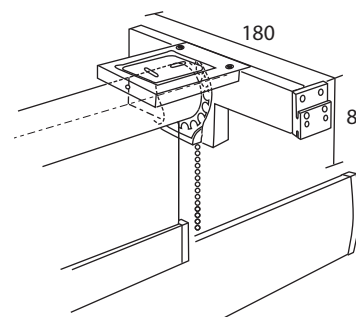
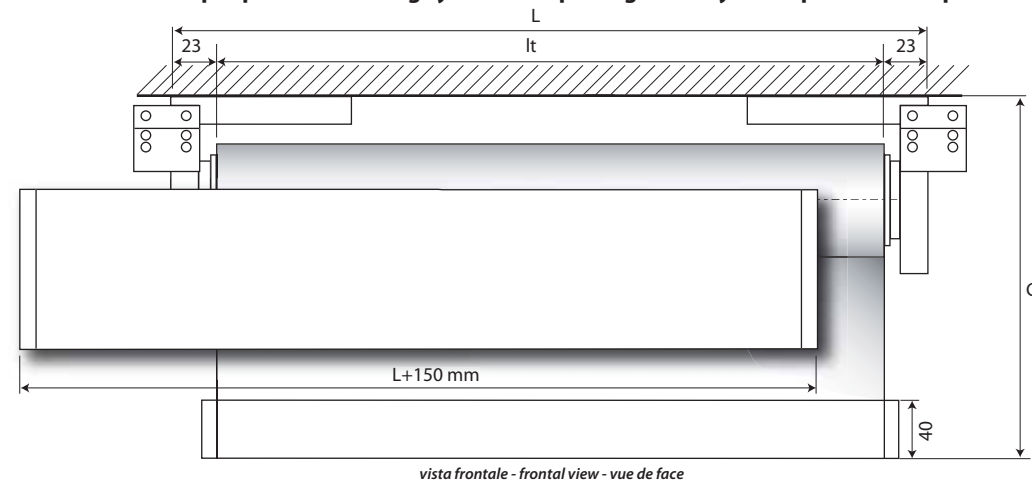
Sistema doppio a soffitto slalom 4 teli - Ceiling double slalom system with 4 fabrics - Système plafond double slalom avec 4 toiles



$$lt = \frac{L - 40}{4} + 40 \text{ mm}$$

- L** = larghezza sistema (cm)
system width (cm)
largeur système (cm)
- lt** = larghezza singolo tessuto
fabric width per unit
largeur chaque toile
- C** = altezza tessuto (cm)
fabric width (cm)
hauteur de la toile (cm)

Sistema a soffitto per pannelli - Ceiling system with panel glides - Système plafond avec panneaux



$$lt = L - 46 \text{ mm}$$

- L** = larghezza sistema (cm)
system width (cm)
largeur système (cm)
- Dx** = Destro - Right - Droit
- Sx** = Sinistro - Left - Gauche
- lt** = larghezza singolo tessuto
fabric width per unit
largeur chaque toile
- C** = altezza tessuto (cm)
fabric width (cm)
hauteur de la toile (cm)



F = FINITURE
F = FINISHES
F = FINITIONS

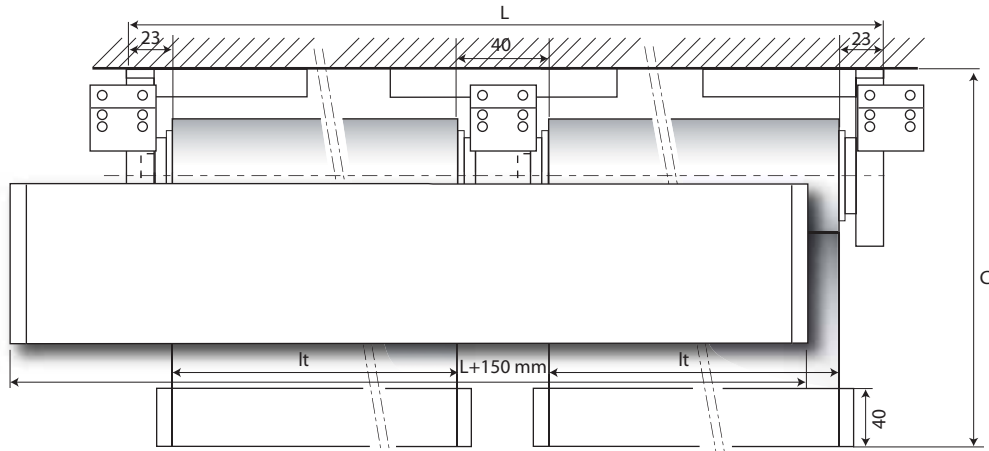
25 alluminio anodizzato inox
anodized aluminium steel colour
aluminium anodisé inox

65 oro opaco
matt gold
or mat

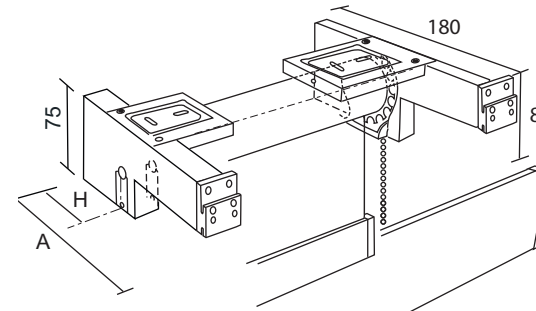
67 alluminio lucido
bright aluminium
aluminium poli

BNL alluminio laccato bianco
white lacquered aluminium
aluminium laqué blanc

Sistema continuo a soffitto per pannelli - Ceiling consecutive system with panel glides - Système plafond continu avec panneaux



vista frontale - frontal view - vue de face



$$it = \frac{L - 86 \text{ mm}}{2}$$

- L** = larghezza sistema (cm)
system width (cm)
largeur système (cm)
- it** = larghezza singolo tessuto
fabric width per unit
largeur chaque toile
- C** = altezza tessuto (cm)
fabric width (cm)
hauteur de la toile (cm)