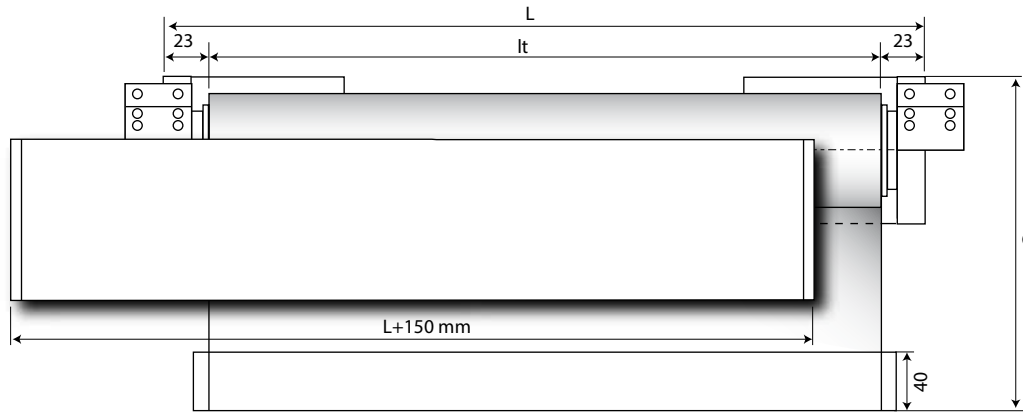


F = FINITURE 25 alluminio anodizzato inox 67 alluminio lucido 312 bianco opaco A2 Tortora
F = FINISHES anodized aluminium steel colour bright aluminium mat white Dove-colored
F = FINITIONS aluminium anodisé inox aluminium poli blanc mat Tourterelle

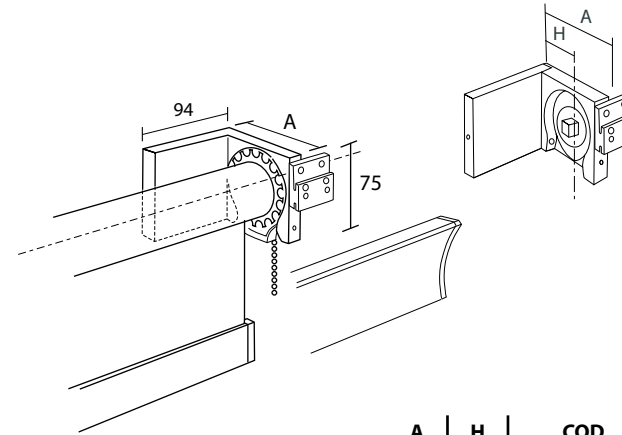
A3 Beige A5 tortora perlato
 Beige Beige pearled dove colored
 Beige tourterelle perlé



Sistema a parete - Wall system - Système de face



vista frontale - frontal view - vue de face



A	H	COD
94	53	923419 DX/SX
144	103	923439 DX/SX
192	151	923449 DX/SX
242	201	923479 DX/SX

lt = L - 46 mm

- A** = sporgenza supporto
bracket's projection
retour support
- H** = distanza parete
wall distance
retour du mur
- L** = larghezza sistema (cm)
system width (cm)
largeur système (cm)
- Dx** = Destro - Right - Droit
- Sx** = Sinistro - Left - Gauche
- lt** = larghezza singolo tessuto
fabric width per unit
largeur chaque toile
- C** = altezza tessuto (cm)
fabric width (cm)
hauteur de la toile (cm)



F = FINITURE 25 alluminio anodizzato inox
 F = FINISHES anodized aluminium steel colour
 F = FINITIONS aluminium anodisé inox

67 alluminio lucido
 bright aluminium
 aluminium poli

312 bianco opaco
 mat white
 blanc mat

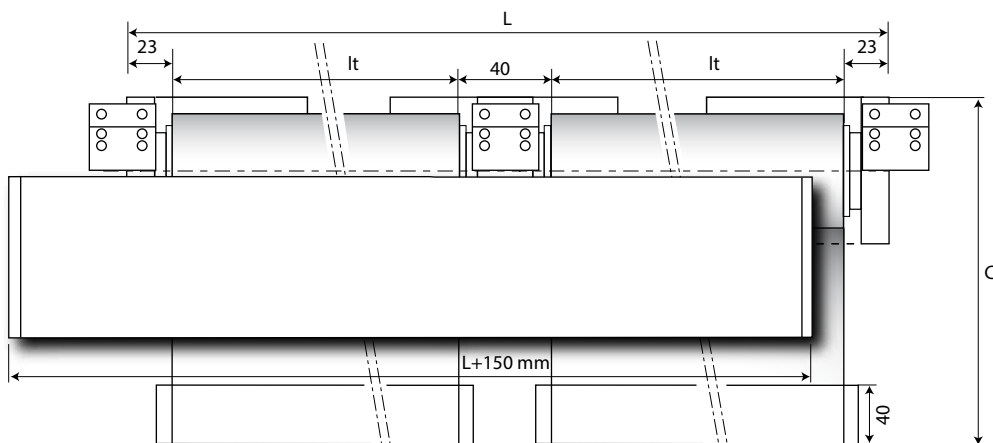
A2 Tortora
 Dove-colored
 Tourterelle

A3 Beige
 Beige
 Beige

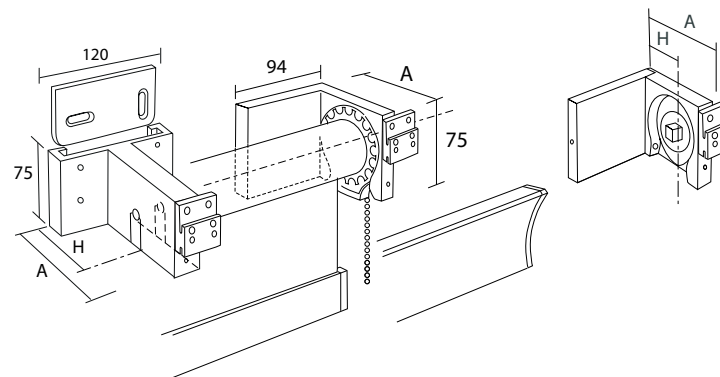
A5 tortora perlato
 pearled dove colored
 tourterelle perlé

CARENA

Sistema continuo a parete - Wall consecutive system - Système continu de face



vista frontale - frontal view - vue de face



$$lt = \frac{L - 86}{2}$$

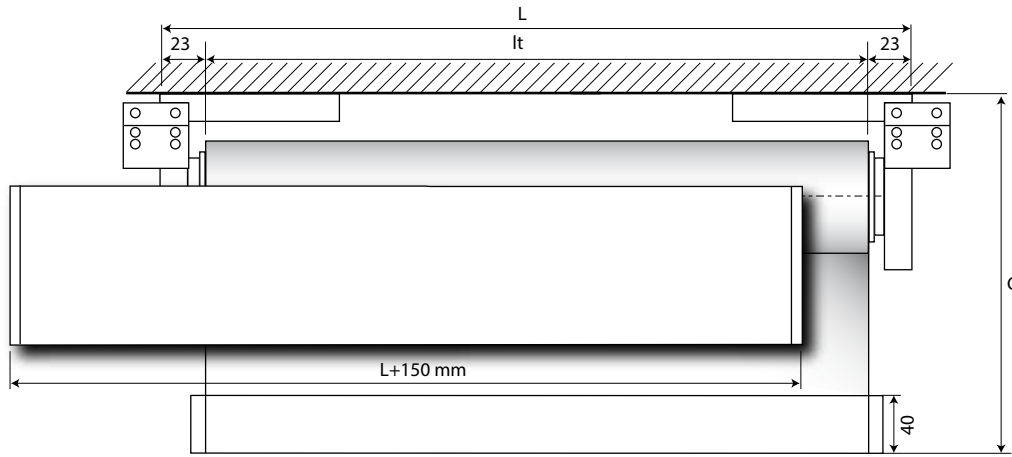
A	H	COD
94	53	923614
144	103	923664

- A** = sporgenza supporto
bracket's projection
retour support
- H** = distanza parete
wall distance
retour du mur
- L** = larghezza sistema (cm)
system width (cm)
largeur système (cm)
- lt** = larghezza singolo tessuto
fabric width per unit
largeur chaque toile
- C** = altezza tessuto (cm)
fabric width (cm)
hauteur de la toile (cm)

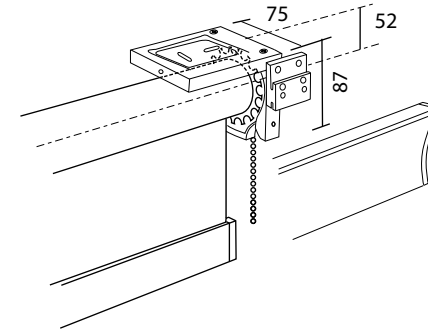
F = FINITURE	25	alluminio anodizzato inox	67	alluminio lucido	312	bianco opaco	A2	Tortora	A3	Beige	A5	tortora perlato
F = FINISHES		anodized aluminium steel colour		bright aluminium		mat white		Dove-colored		Beige		pearled dove colored
F = FINITIONS		aluminium anodisé inox		aluminium poli		blanc mat		Tourterelle		Beige		tourterelle perlé



Sistema a soffitto - Ceiling system - Système plafond



vista frontale - frontal view - vue de face



$L_t = L - 46$ mm

- L** = larghezza sistema (cm)
system width (cm)
largeur système (cm)
- L_t** = larghezza singolo tessuto
fabric width per unit
largeur chaque toile
- C** = altezza tessuto (cm)
fabric width (cm)
hauteur de la toile (cm)



F = FINITURE
F = FINISHES
F = FINITIONS

25 alluminio anodizzato inox
anodized aluminium steel colour
aluminium anodisé inox

67 alluminio lucido
bright aluminium
aluminium poli

312 bianco opaco
mat white
blanc mat

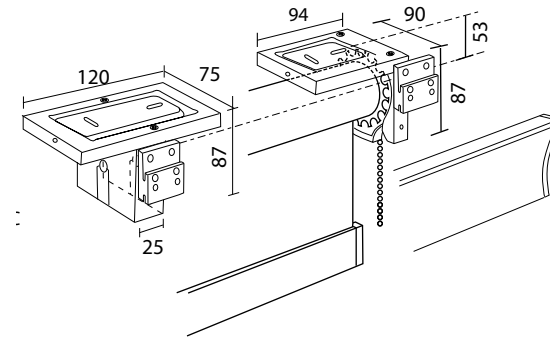
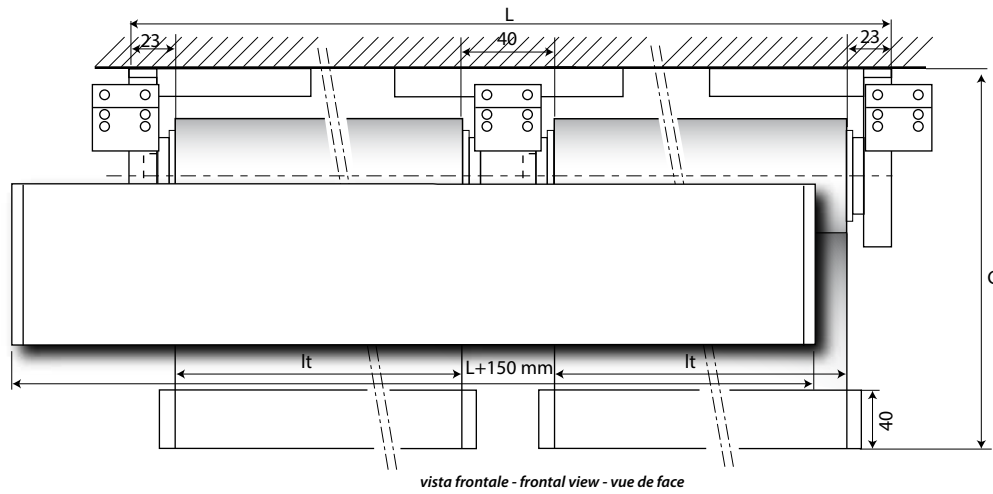
A2 Tortora
Dove-colored
Tourterelle

A3 Beige
Beige
Beige

A5 tortora perlato
pearled dove colored
tourterelle perlé



Sistema continuo a soffitto - Ceiling consecutive system - Système continu plafond



$$lt = \frac{L - 86 \text{ mm}}{2}$$

- L** = larghezza sistema (cm)
system width (cm)
largeur système (cm)
- lt** = larghezza singolo tessuto
fabric width per unit
largeur chaque toile
- C** = altezza tessuto (cm)
fabric width (cm)
hauteur de la toile (cm)